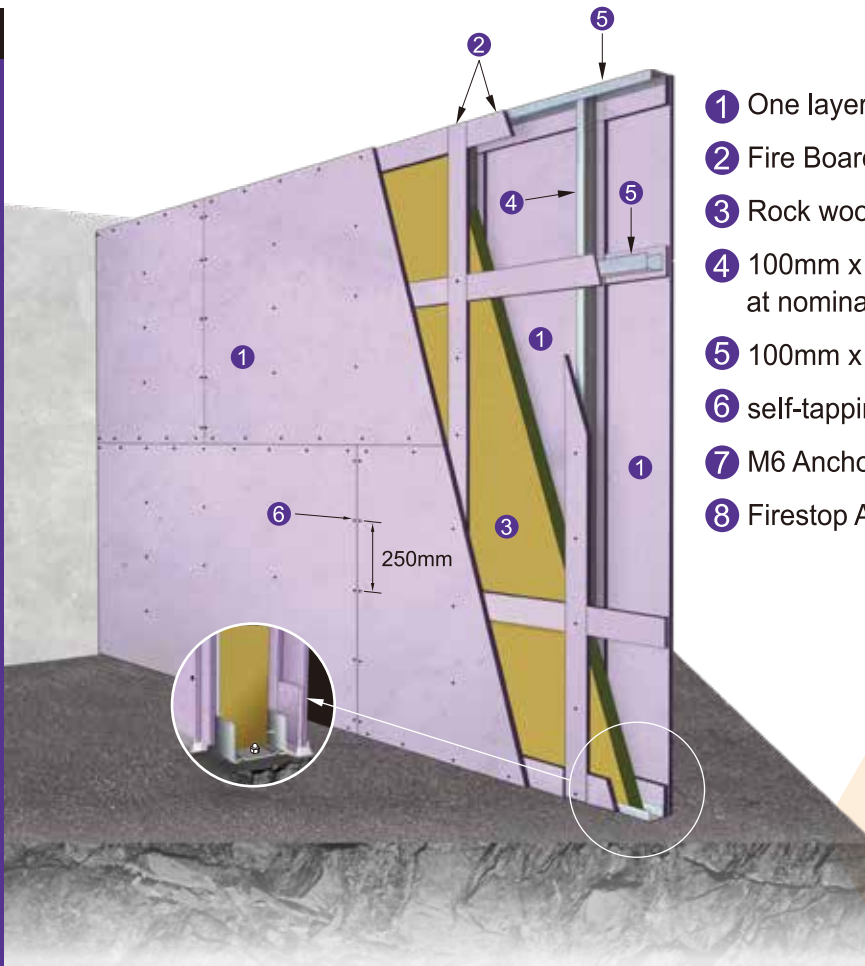




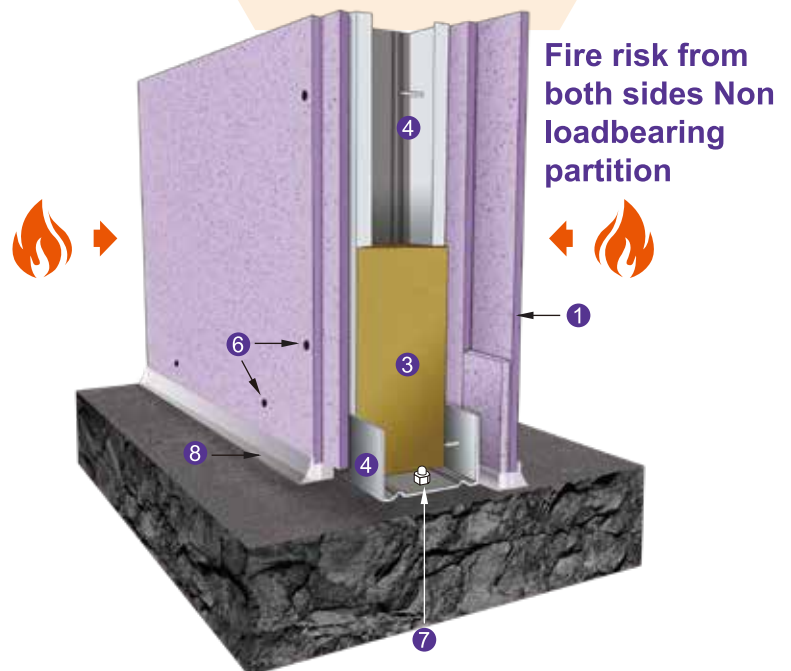
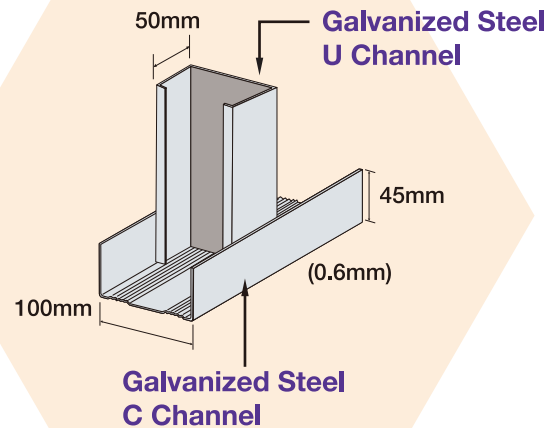
CHINA  
UNION  
BUILDING  
MATERIALS

# HAWK PAN Fire Board Partition System

## 4-hours fire Rated Partition Hawk Pan (12mm)



- ① One layer of 12mm thick HAWK Pan (fire rated board)
- ② Fire Board Fillet (100 x 12mm)
- ③ Rock wool 100mm x 110kg/m<sup>3</sup>
- ④ 100mm x 50mm x 0.6mm thick Galvanized Steel U Channel at nominal 610mm by 1220mm centres
- ⑤ 100mm x 45mm x 0.6mm thick Galvanized Steel C Channel
- ⑥ self-tapping screws M3.5 at nominal 250mm centres
- ⑦ M6 Anchor bolts at nominal 500mm centres
- ⑧ Firestop Acrylic Sealant



Fire resistance	FRL	-/240/240
	Standard	BS EN 1364: Part 1: 1999 BS EN 1363: Part 1: 1999
	Approval	IT 14-1919 FORTE
Acoustic	Standard #STC	ASTM E90-09, ASTM E413-10 45
	Standard #RW	ISO140: Part 1&3: 1996 48 DB
	Predicted assessment	(A + A)*L 20 <sup>th</sup> August 2015
Construction	Maximum height	6000mm
	Partition length	Unlimited
	Partition thickness	Nominal 148mm
	Partition mass	From 60kg/m <sup>2</sup>

#Margin of error is generally within ±3dB