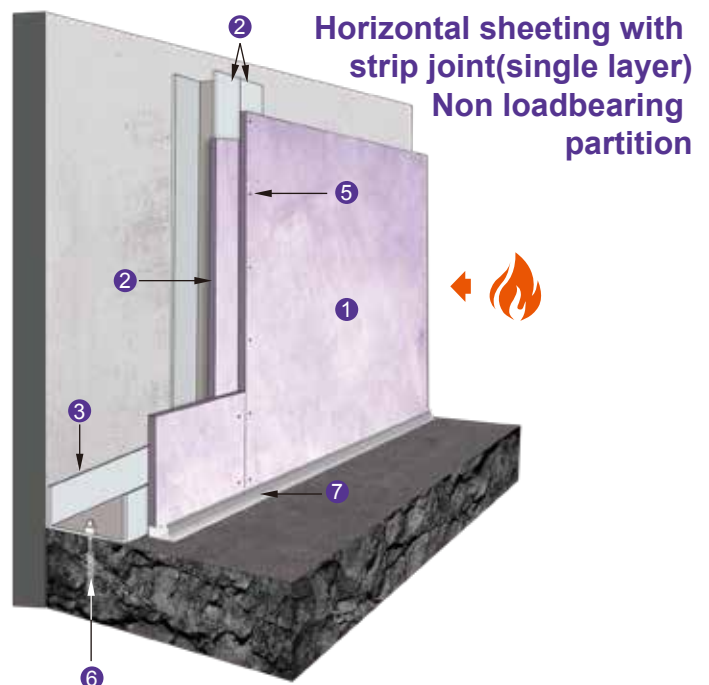
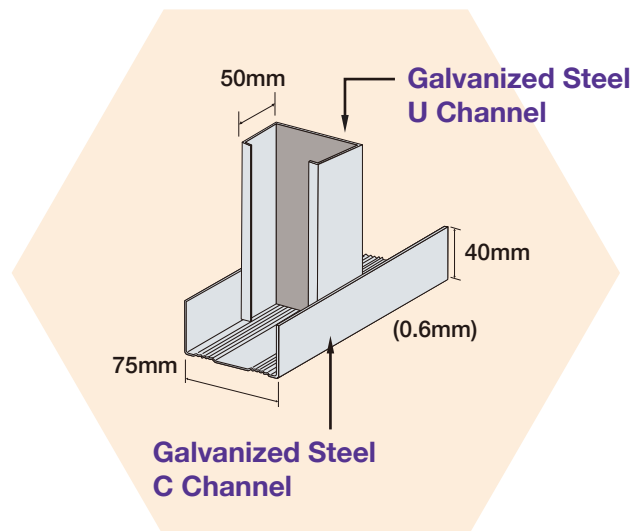
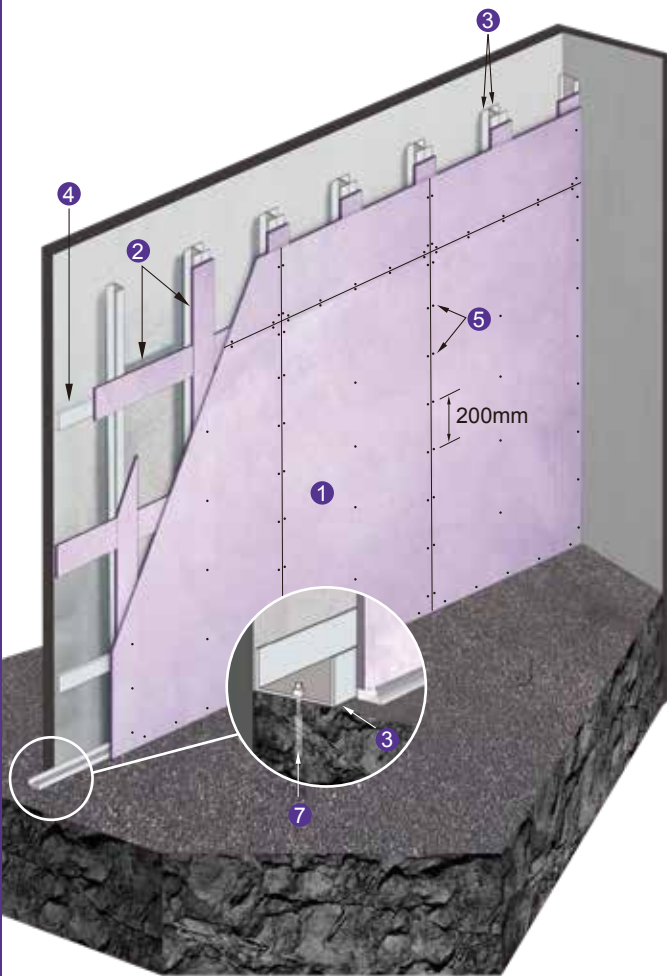


HAWK PAN Fire Board Partition System without insulation

4 hour fire Rated Partition Hawk Pan (9mm)

- ① One layer of 9mm thick KINGTEC HAWK (fire rated board)
- ② Fire Board Fillet (70 x 9mm)
- ③ 32mm x 50mm x 0.5mm thick Galvanized Steel U Channel lat nominal 610mm by 1220mm centres
- ④ 24mm x 50mm x 0.5mm thick Galvanized Steel C Channel
- ⑤ self-tapping screws M3.5 at nominal 250mm centres
- ⑥ M6 Anchor bolts at nominal 500mm centres
- ⑦ Firestop Acrylic Sealant



Fire resistance	FRL	-/240/-
	Standard	BS EN 1364: Part 1: 1999 BS EN 1363: Part 1: 1999
	Approval	IT 14-1919 FORTE
Construction	Maximum height	6000mm
	Partition length	Unlimited
	Partition thickness	Nominal 68mm